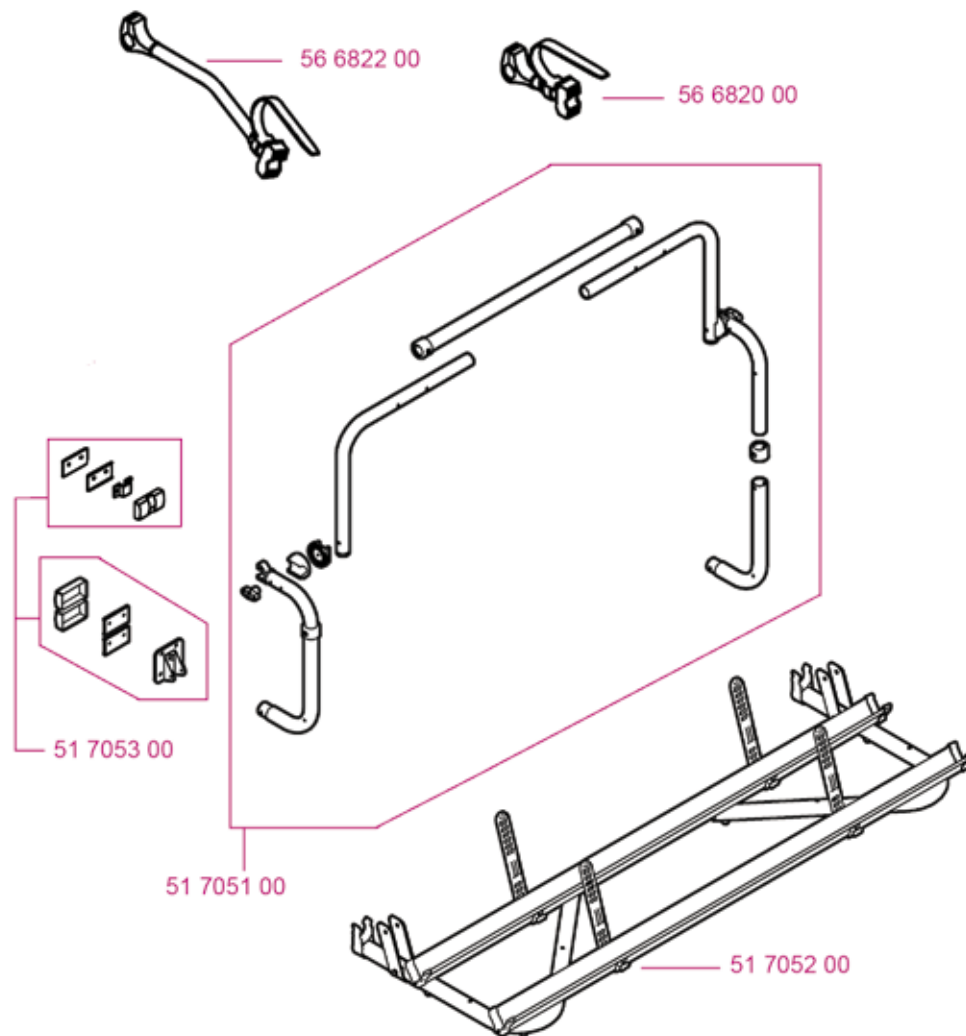


Ver. 2007

**OMNI-BIKE** LIFT 2 bikes



Ver. 2007

**OMNI-BIKE** plus SEA 2 bikes