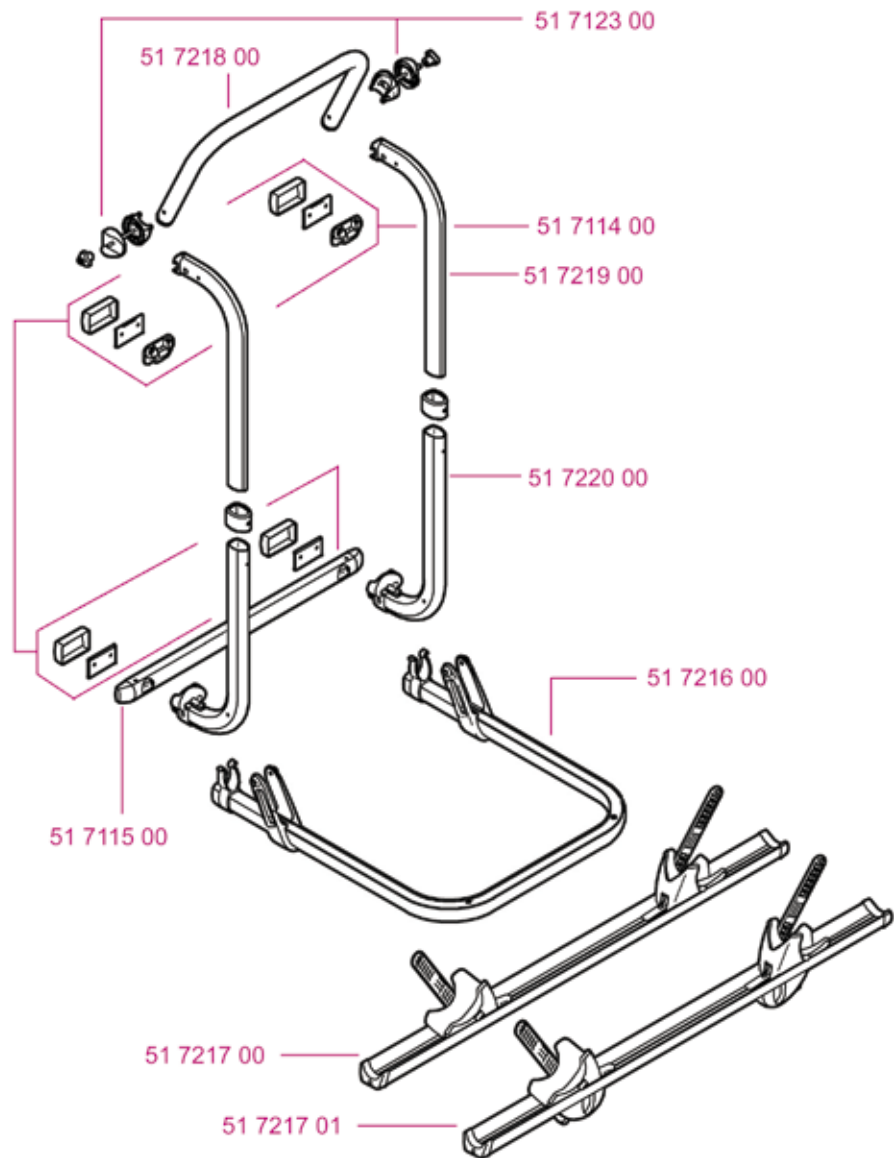


Ver. 2008

**OMNI-BIKE** Elite 2 bikes



Ver. 2008

**OMNI-BIKE** Elite Short version 2 bikes